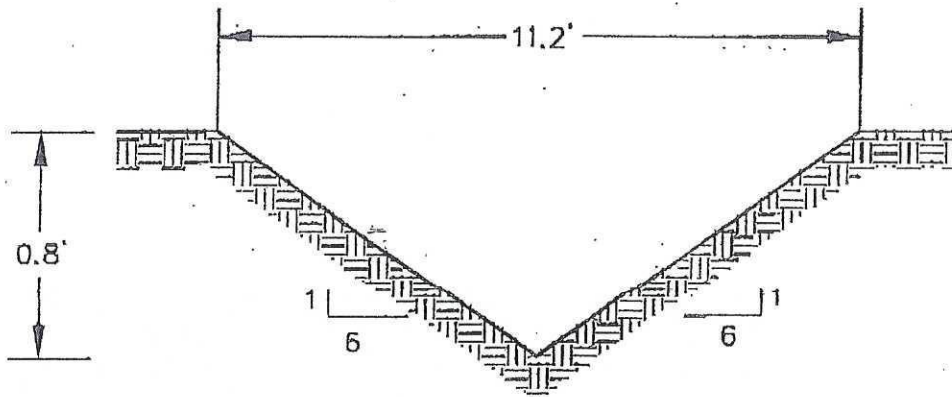


NOTE:  
ALL DISTURBED AREAS TO BE SEEDDED AND  
MULCHED

REAR LOT TREATMENT SWALE



NOTE,  
ALL DISTURBED AREAS TO BE SEEDDED AND  
MULCHED

FRONT LOT TREATMENT SWALE

**England-Thims  
& Miller, Inc.**

ENGINEERS - PLANNERS  
SURVEYORS - LANDSCAPE ARCHITECTS  
14775 St. Augustine Road  
Jacksonville, Florida 32258  
Certificate of Authorization No. 2584  
Phone No. (904) 842-8990  
Fax No. (904) 646-9685

**TREATMENT SWALE DETAIL**

UNIT 1  
OF  
QUEENS HARBOUR YACHT & COUNTRY CLUB

ETM NO. 93-199-3

DATE 8/28/02

DRAWN BY: T.I.

DRAWING NO. 1 OF 1